

4

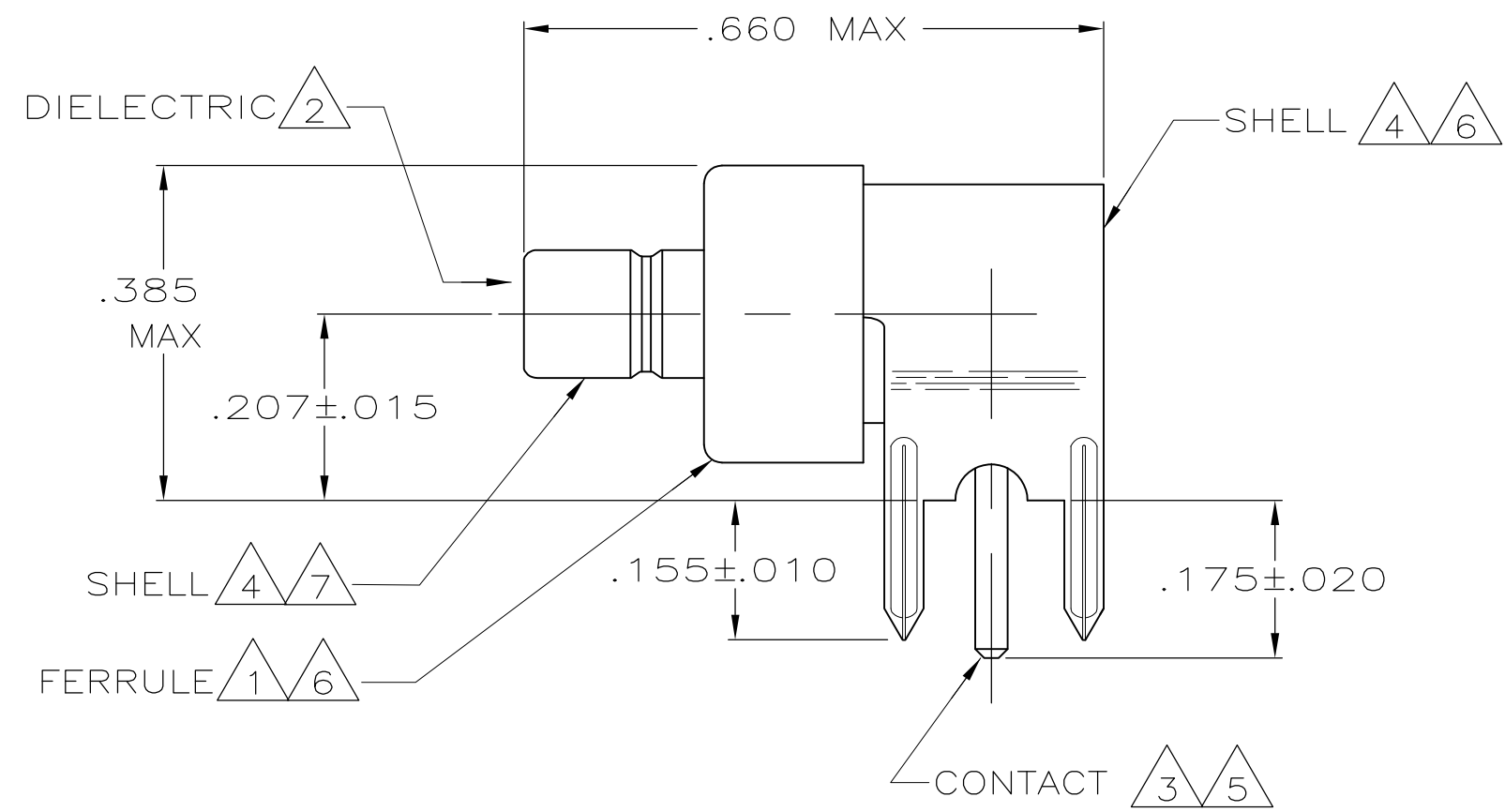
3

2

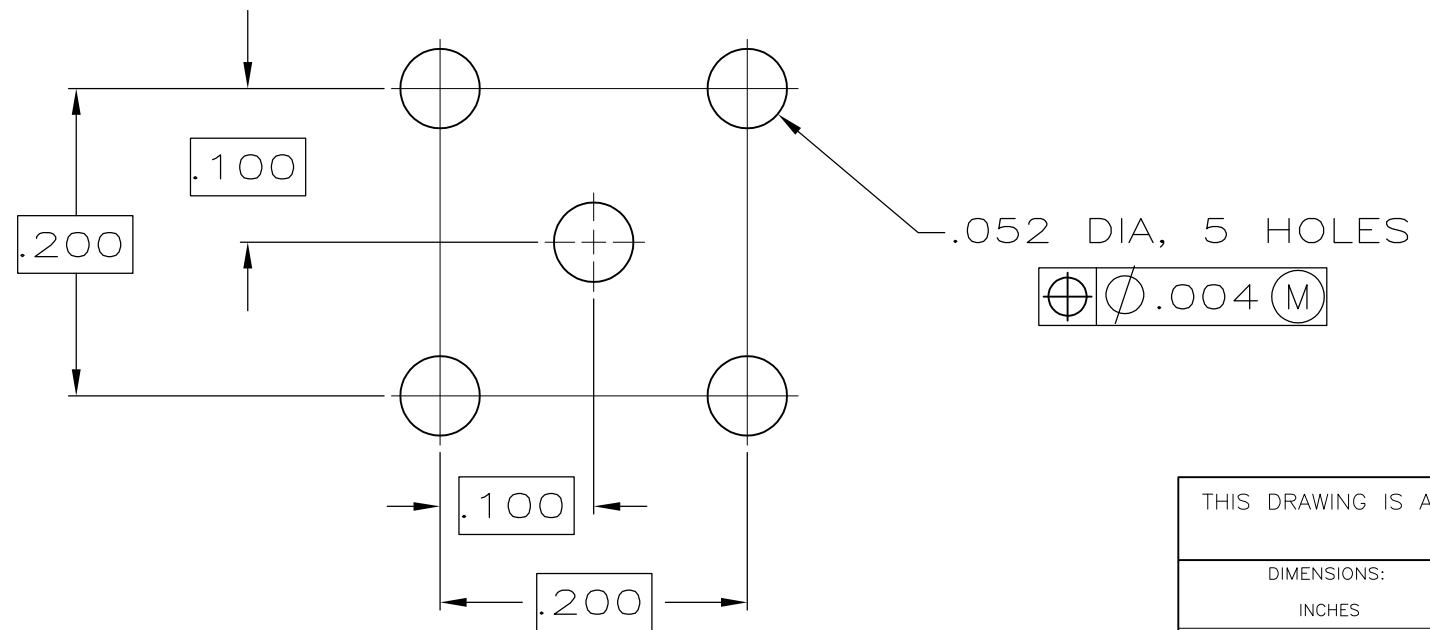
1

THIS DRAWING IS UNPUBLISHED. RELEASED FOR PUBLICATION  
 © COPYRIGHT - BY TYCO ELECTRONICS CORPORATION. ALL RIGHTS RESERVED.

LOC	DIST	REVISIONS					
AJ	16	P	LTR	DESCRIPTION	DATE	DWN	APVD
			A	REVISED PER ECO-10-009236	05MAY10	HMR	KW



- 1 COPPER ALLOY
- 2 POLYPROPYLENE, GENERAL PURPOSE.
- 3 BRASS PER ASTM B 16.
- 4 BRASS PER ASTM B 36.
- 5 GOLD PLATE PER ASTM B 488.
- 6 TIN PLATE PER ASTM B 545.
- 7 NICKEL PLATE PER QQ-N-290.
- 8. BOARD THICKNESS: .125 MAX.



REQUIRED PCB HOLE CONFIGURATION  
 SCALE 8:1

5228435-1  
 PART NUMBER

THIS DRAWING IS A CONTROLLED DOCUMENT.		DWN	J. HAVENER	05FEB2005	Tyco Electronics Corporation Harrisburg, Pa 17105-3608			
DIMENSIONS: INCHES		CHK	J. HAVENER	09FEB2005	NAME			
TOLERANCES UNLESS OTHERWISE SPECIFIED:		APVD	J. HAVENER	09FEB2005	JACK, RIGHT ANGLE, PCB, COMMERCIAL SMB			
0 PLC ± -		PRODUCT SPEC		SIZE		CAGE CODE	DRAWING NO	RESTRICTED TO
1 PLC ± -		APPLICATION SPEC		A3		00779	C-5228435	-
2 PLC ± -		WEIGHT		CUSTOMER DRAWING		SCALE	SHEET	OF
3 PLC ± .002		FINISH				5:1	1	1
4 PLC ± -		1 THRU 4						REV
ANGLES ± -		5 6 7						A